



**PIONEER INDUSTRIES, INC.**  
 3325 S. Garfield Ave.  
 Commerce, CA 90040  
 (800) 338-9468  
 www.pioneerind.com

# INSTALLATION

**Tools:**



Adjustable Wrench



Plumbers Putty



Teflon Tape



Rags



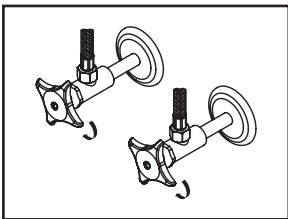
**Model Number: 2AM400, 2AM401**

**Warnings and Notes:**

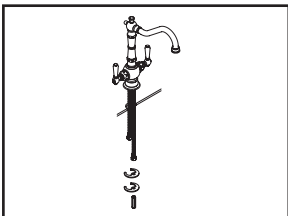
Check with local plumbing code requirements before installation.  
 This product should be installed by a local listed plumber.  
**Do not use plumbers putty on threads.**

**Installation Steps:**

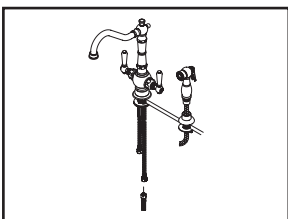
Two Handle Kitchen Faucet



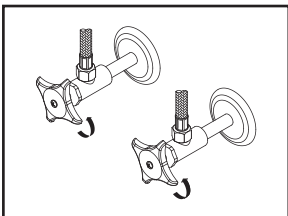
(1) Shut off water supplies. Remove old faucet. Clean mounting surface in preparation for new faucet.



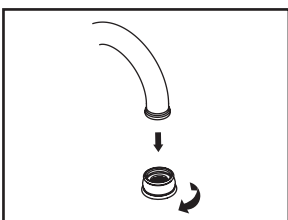
(2) Thread and tighten mounting bolt to the bottom of faucet, place escutcheon with washer under the faucet, insert faucet through mounting hole. Slide mounting washers to the mounting bolt and tighten mounting nut to mounting bolt from underneath the sink. For 2AM400 go to step (4)



(3) Place side spray holder in position of mounting hole, secure side spray holder by tightening locknut from underneath the sink. Lead side spray hose through side spray holder. Connect side spray hose to side spray outlet port on the bottom of the faucet.



(4) Connect hot and cold inlet supply hoses to water supply valves. For 1/2" connection, use 3/8" male to 1/2" female adapter for installation. Adapter is optional and not provided with faucet. Turn on both water supply valves.

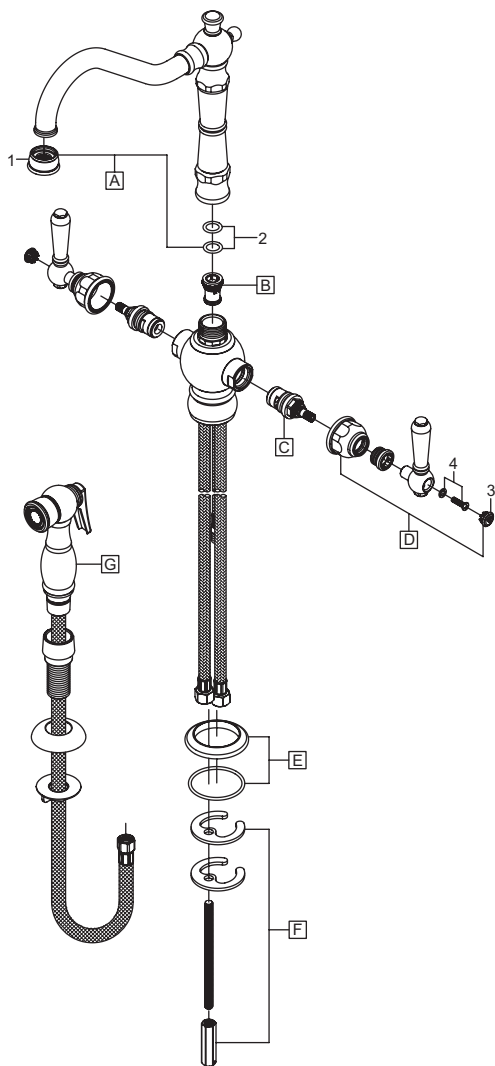


(5) Important: After installation is complete, remove aerator and turn on handle to allow both hot and cold water to run at least one minute each. Check for any leaks while water is running. Turn off handle and replace aerator.

## Exploded Drawing :

\* Note: Please specify finish/color when ordering.

	ITEM #	DESCRIPTION
A	X-2200012*	Americana Spout
B	X-4200016	Diverter Piston (For 2AM401)
C	X-3200004C,H	Ceramic Stem-Cold,Hot
D	X-1200007C,H*	Lever Handle-Cold,Hot
E	X-4200062*	Escutcheon and O-ring
F	X-5900002	Mounting Kit
G	X-4200059*	Side Spray Assembly (For 2AM401)
1	X-4900091*	1.5 GPM Aerator
2	X-4900012	Spout O-Rings
3	X-4900042C,H*	Handle Button-Cold, Hot
4	X-4900043	Handle Screw



For more care information or trouble shooting inquiries  
 about your Pioneer product, please call:  
**Pioneer Industries, Inc.** (800) 338-9468  
 Monday-Friday 8 AM to 8 PM EST (5 AM to 5 PM PST)  
[www.pioneerind.com](http://www.pioneerind.com)